

nickelodeon



# Sno-Cone Maker

Includes: Paw Patrol Sno-cone Maker, Plunger, Ice Shaver, Hand Crank, Locking Cap, Bottle with Cap, Spoon, 3 Paper Cups, 1 Plastic Cup.

Note to Parents:

- Read instructions thoroughly before use.
- Adult supervision is suggested with younger children. Not intended for children under 3 years.
- Handle Sno-cone maker with care.

## CLEANING INSTRUCTIONS:

Wash thoroughly before use.

After each use, remove the shaver handle from the unit and rinse all parts with warm (not hot) soapy water. Thoroughly clean out any water left in the toy. Wipe dry. Do not wash in the dishwasher.



## WARNING:

**CHOKING HAZARD** - Small parts  
Not for children under 3 yrs.

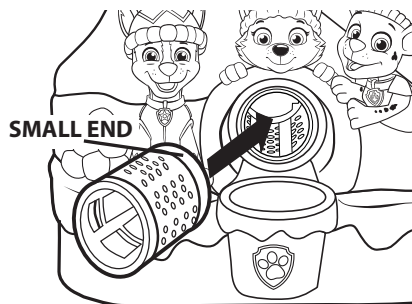


## CAUTION:

This item contains a functional  
sharp edge on the ice shaver

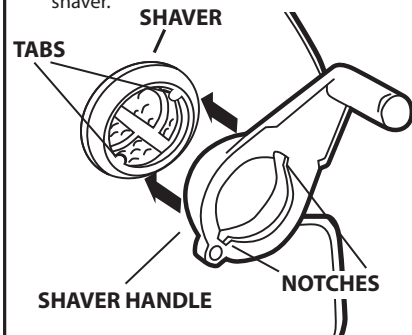


1. Fit small end of shaver through hole in front of Sno-Cone Maker as shown. **VERY IMPORTANT - INSERT SHAVER THROUGH FRONT OF MAKER ONLY**

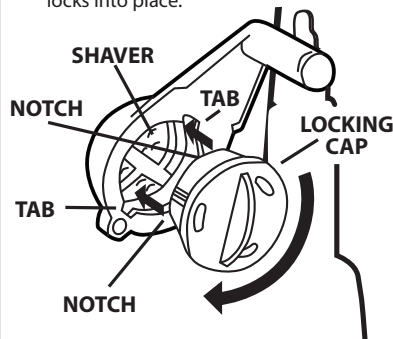


## Ages 4 and Up

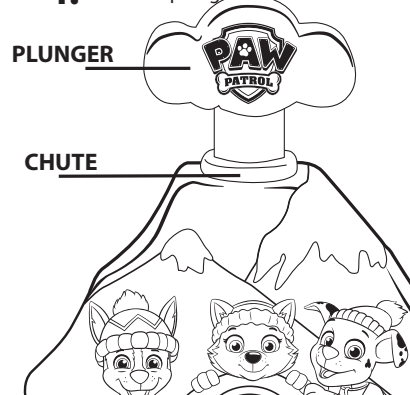
2. Fit shaver handle into hole in back of Sno-Cone Maker so that notches on the handle fit over tabs on shaver.



3. While holding front rim of shaver, fit notches on locking cap between tabs on shaver. Turn locking cap clockwise until it locks into place.



4. Insert the plunger into chute.



## How to Make Sno-Cones

1. Remove plunger and drop one ice cube into top of the chute.
2. Begin to turn ice shaver handle clockwise about 5 times without applying pressure. Gently apply pressure to the plunger while continuing to turn ice shaver handle.  
CAUTION: PUSHING DOWN ON THE PLUNGER PRIOR TO TURNING THE HANDLE MAY RESULT IN JAMMING THE SNO-CONE MAKER.  
Continue turning the handle clockwise until the ice cube has been completely shaved.
3. Repeat steps 1-2 until you have enough shavings to make a sno-cone.
4. Scoop the ice shavings into one of the paper cups.
5. Fill squeeze bottle with juice or other beverage and squirt flavoring over the ice shavings until saturated.

## Additional Hints and Suggestions

You can also try filling an ice cube tray with lemonade or any fruit juice and freeze it. Place the cubes, one at a time, into the maker and grate.



Questions? Comments? Please call us at 1-800-545-5437 Monday- Friday 9:00am to 4:30pm EST or write us at the address below. Please include the UPC code for reference.

© 2017 Little Kids, Inc., 1015 Newman Avenue, Seekonk MA 02771.

All rights reserved.

Made in China